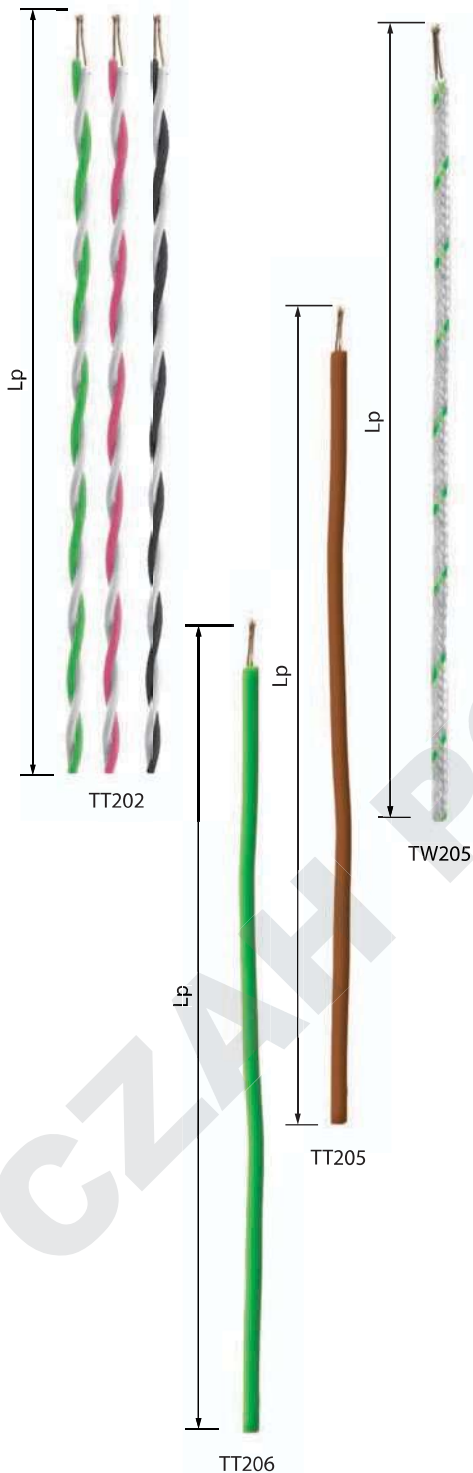


20

# CABLE THERMOCOUPLES

General purpose thermocouples with thermocouple wires in all sorts of insulations. They are made of wires with several sections. Argon welded junction. Available types: K, T, J, N or other on request.

- rated up to 400 °C, depending on the insulation material
- available in a number of lengths
- it can be terminated with a compensating junction (without a pin plug, 10 mm insulated leads)
- class 2 (class 1 only on request, see table I, page 63 for more information)



20	sensor type	accuracy class	lead type	lead length (mm)	connector type
Give sensor type, table 1 (J,T,K,N)					
Give accuracy class, table I, page 63					
Give lead type, table 2					
Give lead length [mm]					
Give connector type, table 3 (skip if not requested)					

## TAB. ORDERING CODE:

20	K	2	TT202	2000	MW1
----	---	---	-------	------	-----

### 20 – K – 2 – TT202 – 2000 – MW1

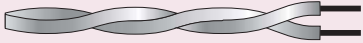

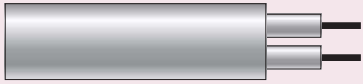
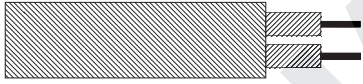
SENSOR model 20 (thermocouple), type K (NiCr – NiAl). Accuracy class '2', a 2000 mm Teflon insulated lead terminated to a miniature pin plug

**TAB. 1 TEMPERATURE RANGE \*)**

SENSOR TYPE	THERMO-ELECTRODE TYPE	OPERATING TEMPERATURE RANGE [°C] *)
<b>J</b>	Fe - CuNi	+20 ÷ 400
<b>T</b>	Cu - CuNi	-185 ÷ 400
<b>K</b>	NiCr - NiAl	0 ÷ 400
<b>N</b>	NiCrSi - NiSi	0 ÷ 400

\*) Given temperature ranges are mostly dependent on the outer sheath material. Tolerance to PN-EN 60584-1; table I, page 63

**TAB. 2 LEAD TYPES \*)**

SYMBOL	DRAWING	SECTION	DESCRIPTION
<b>TT202</b>		0,03 mm <sup>2</sup>	Teflon insulated wires, each 1 mm dia. (with insulation)
<b>TT205</b>		0,2 mm <sup>2</sup>	Teflon insulated wires Outer Teflon insulation. Lead dimensions 2,5 x 1,5 mm
<b>TT206</b>		0,08 mm <sup>2</sup>	Teflon insulated wires Outer Teflon insulation lead dimensions 1,0 x 1,5 mm
<b>TW205</b>		0,2 mm <sup>2</sup>	Fiberglass insulated thermocouple wire. Fiberglass outer insulation.

\*) Other lead types available on request

**TAB. 3 COMPENSATED CONNECTORS**

If you need a thermocouple compensated pin plug, see table B, page 51 to specify a model, eg. MW1, SW1, MW2 or MW3 etc.