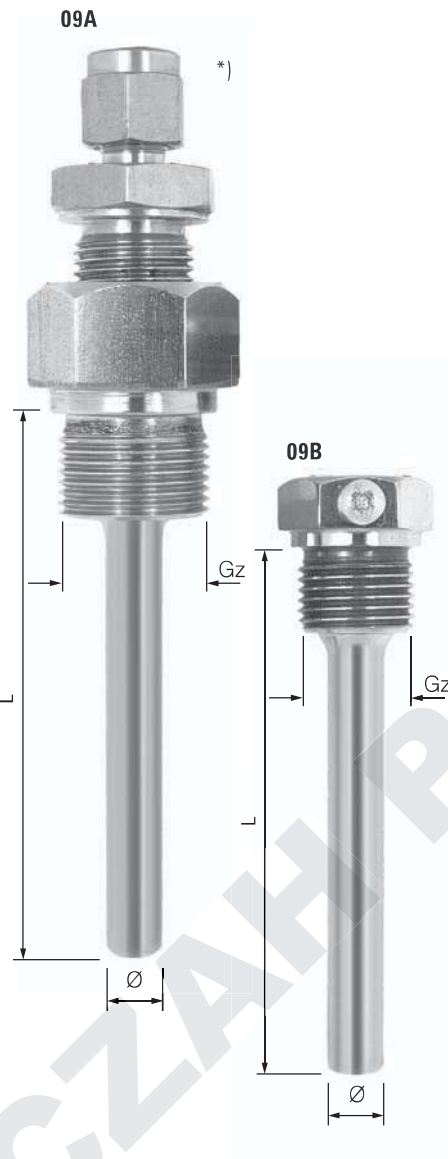


09

MOUNTING THERMOWELLS FOR THERMOCOUPLES AND RESISTANCE THERMOMETERS

- Thermowells are designed to protect the temperature sensor by isolating it from the measured medium.
- They are available with various lengths, diameters and threads
- Thermowells can be provided as individual components or together with temperature sensors
- Temperature sensors can be screwed directly to the thermowell or installed by using a moveable pipe fittings, table F, page 61, see the photo on the right.



*) sample thermowell with the compression fitting

09	thermowell type	thermowell material	thread	thread	length	outer diameter	inner diameter
	Give thermowell type, table 1	Give thermowell material, table 2	Give outside thread type, table 3	Give inside thread type, table 3 write '0' for the thermowell without a thread (09B)	Give length L [mm], table 1	Give outside diameter Ø, table 4	Give inside diameter Ø, table 4

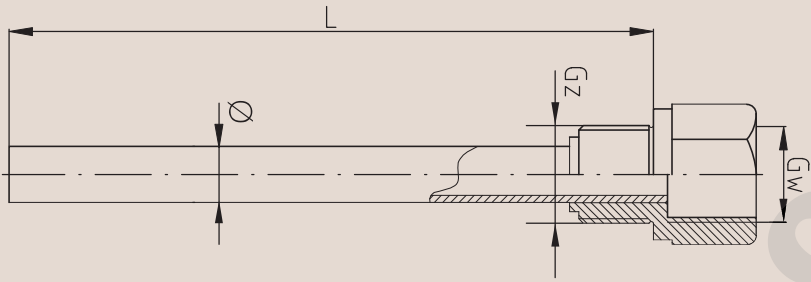
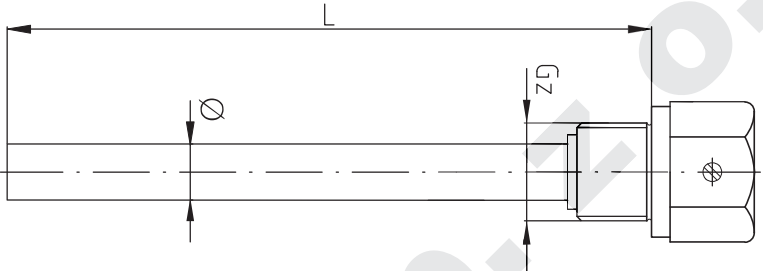
TAB. ORDERING CODE:

09	A	321	G1/2	G1/2	100	10	7
----	---	-----	------	------	-----	----	---

09 – A – 321 – G1/2 – G1/2 – 100 – 10 – 7

Thermowell type 09 model A, steel grade 321(1H8N9T) , outside and inside thread G1/2, length L= 100 mm, OD=10 mm, ID=7 mm.

TAB. 1 THERMOWELL TYPES

TYPE	DESCRIPTION *)	DRAWING
A	Straight metal thermowell with the pipe welded to the fitting with outside thread Length L=50...1000mm	
B	Straight metal thermowell with the pipe welded to the fitting. Fitting with the fixing screw Length L=50...1000mm	

*) other thermowell types available on request

TAB. 2 THERMOWELL MATERIAL

STEEL GRADE *)	DESCRIPTION	MAX. OPERATING TEMPERATURE °C IN THE AIR
Corrosion resistant steel (acid-proof) 321 (1H18N9T; 1.4541)	It provides excellent resistance to corrosion, natural water (including sea water), alkaline solutions, some organic and inorganic acids, saline of various concentration and temperature except high concentrated sodium chloride, sulphates, chlorates etc. Steel resistant to all edible products.	800
310 (H25N20S2; 1.4841)	Steel resistant to corrosion (heatproof) but with low resistance to gases containing sulphur.	1100

*) other steel grades on request

TAB. 3 THREAD TYPE *)

OUTSIDE THREAD GZ	INSIDE THREAD GW
M10 x 1	M10 x 1
M12 x 1,5	M12 x 1,5
M14 x 1,5	M14 x 1,5
M16 x 1,5	M16 x 1,5
M20 x 1,5	M20 x 1,5
G ½"	G ½"
½" NPT	G ½"

*) - other thread types available on request

TAB. 4 THERMOWELL DIAMETER *)

THERMOWELL OUTSIDE DIAMETER Ø [mm]	THERMOWELL INSIDE DIAMETER Ø [mm]
6	4
6	5
8	6
9 **)	7
10	7
12 **)	9
15	11

*) - other diameters available on request

**) only 321 (1H18N9T)